

Fast Load Pump Head

DZ25-3L, DZ25-6L



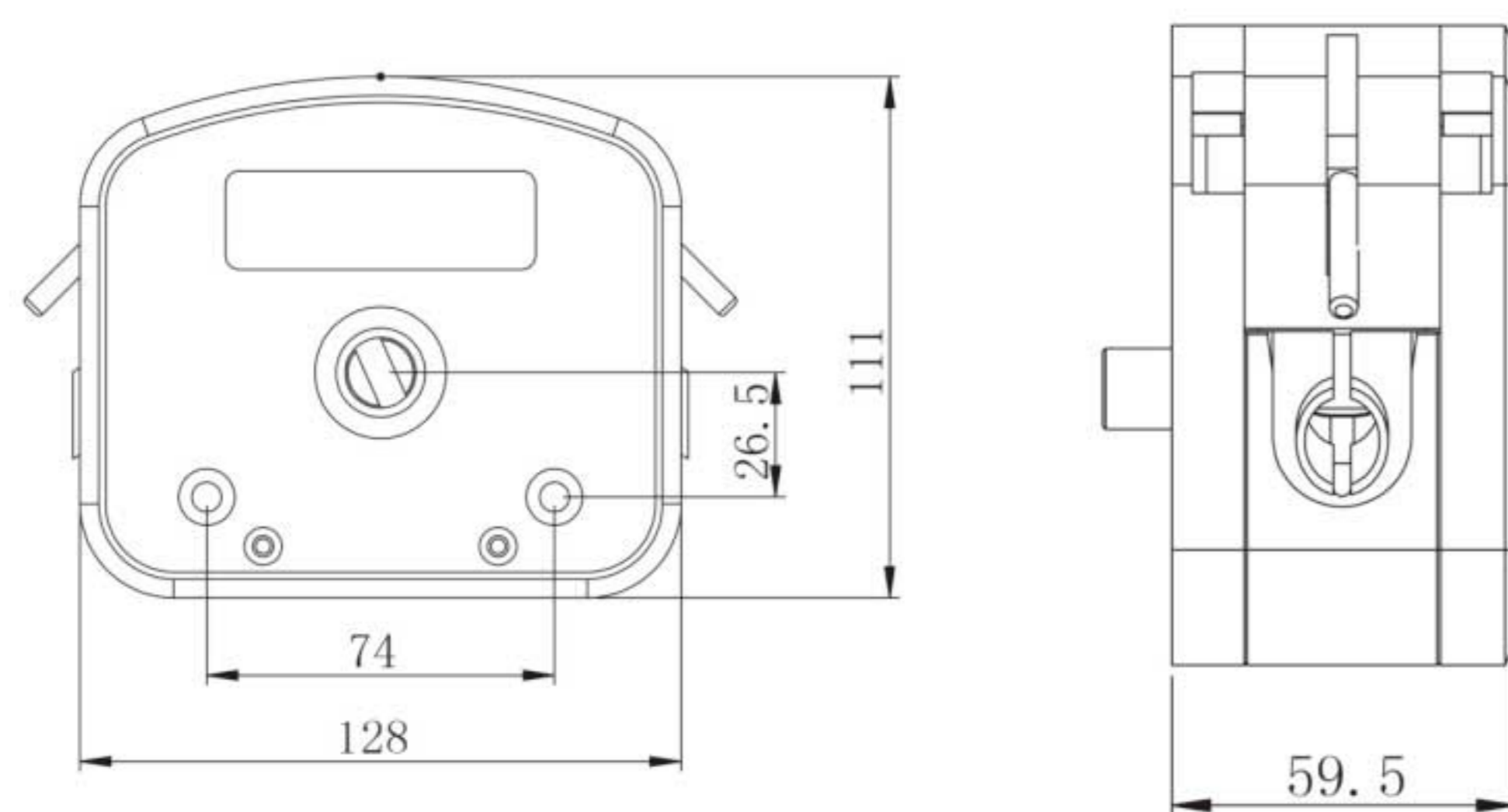
Product Introduction

Easy operation, change tube rapidly. The house material is PPS (polyphenylene sulfite). 304 stainless steel rollers. DZ25 pump head use 2.4mm wall thickness tube, the flow rate range is 0.211-6000mL/min. This pump head is suitable for high viscous liquid which include granule and floc. It also suitable for high pressure request. New cartridge structure design, can use the special connector, connect low cost tubing outside the pump head to save cost; also can use flexible tube clamp, meet hygiene requirement.

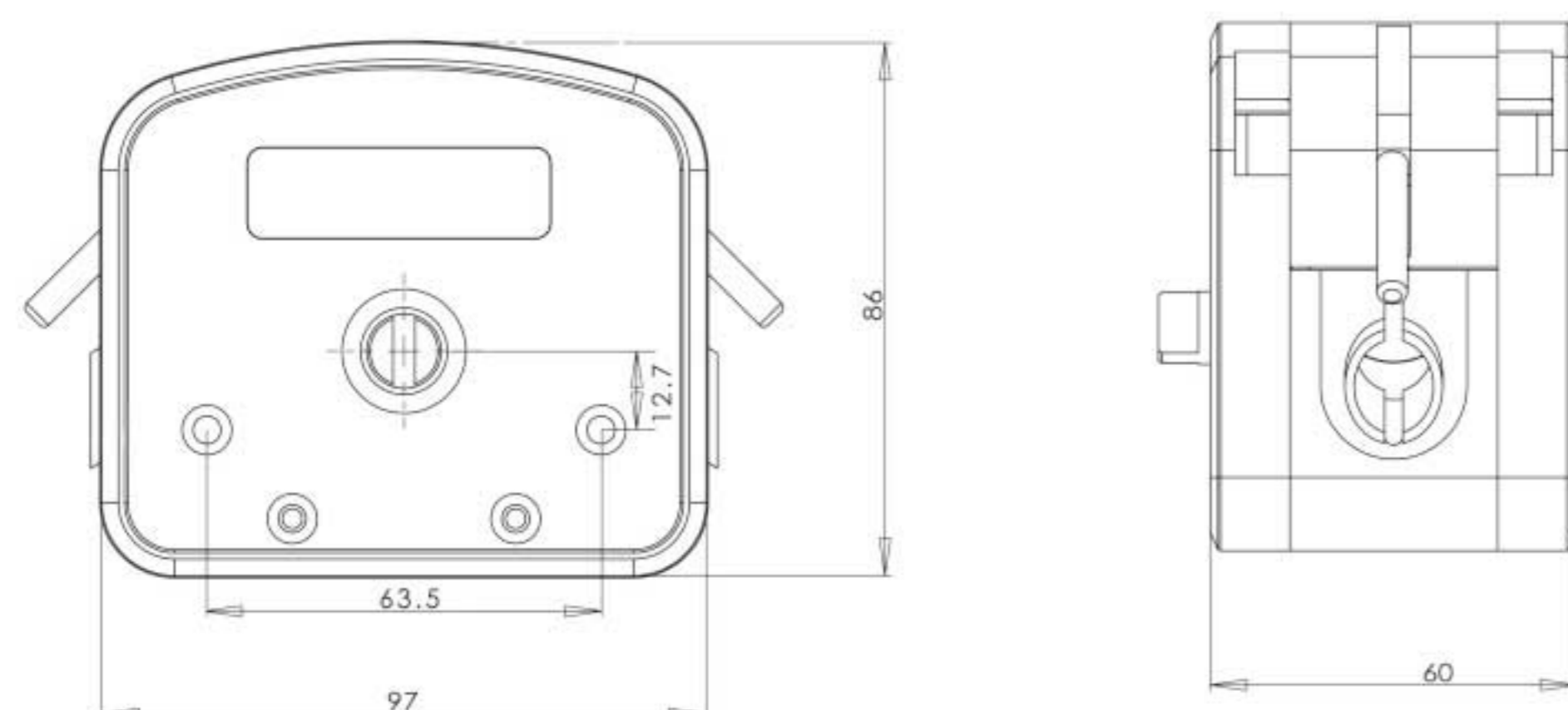
Model Number

DZ25-3L, DZ25-6L(Aluminum Alloy)/(PPS)

Dimension Drawing(Unit: mm)



DZ25-6L Dimension



DZ25-3L Dimension

Tubing Installation Procedure

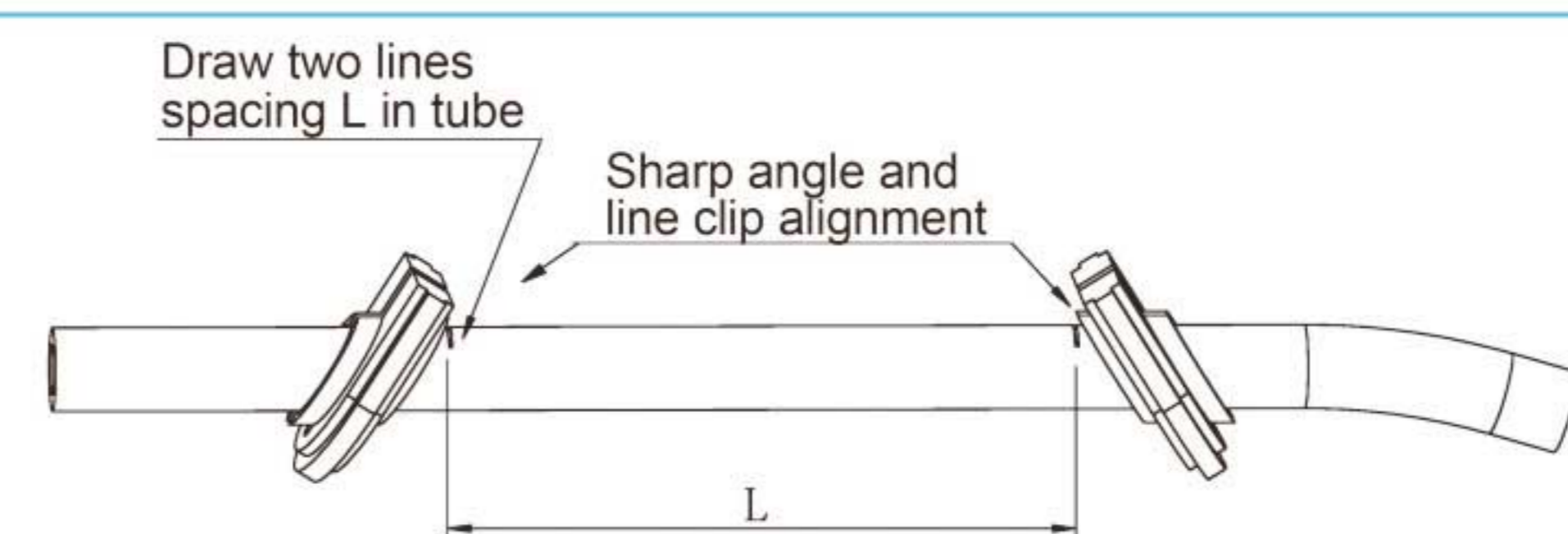
1. Lift both side levers, take off the upper block.



2. Put the tubing with cartridge or connector into pump housing.



3. Install the upper block, put down the levers to lock the block.



Tubing Clamp

DZ25-6L: the tubing length is 125mm between both tubing clamps.
DZ25-3L: the tubing length is 90mm between both tubing clamps.

Experimental conditions: standard atmospheric pressure, room temperature at 20°C, the liquid is pure water, no pressure, no suction and lift.
Note: Actually, it is affected by many factors such as transmission medium, inlet and outlet pressure, hose material and error, working environment, etc. This data is for reference only.

Technical Specifications

Model No.	Housing Material	Tubing Clamp Material	Tubing		Flow Rate (mL/min) (0.1~600rpm)	Weight (kg)
			Tubing Sizes	ID x Wall Thickness		
DZ25-6L	Aluminum alloy/PPS	PP	15#	4.8 x 2.4(mm)	0.3~1800	1.86/0.86
			24#	6.4 x 2.4(mm)	0.55~3300	
			35#	7.9 x 2.4(mm)	0.8~4800	
			36#	9.6 x 2.4(mm)	1~6000	
DZ25-3L	PPS	PP	15#	4.8 x 2.4(mm)	0.211~1264	0.5
			24#	6.4 x 2.4(mm)	0.385~2310	
			35#	7.9 x 2.4(mm)	0.508~3050	
			36#	9.6 x 2.4(mm)	0.6~3600	

